



E-mail: pcpcaribbean@gmail.com

CALL US: (868) 675-6019

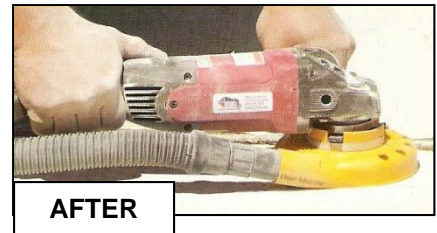
DUST CONTROL SOLUTIONS

Dustless TECHNOLOGIES DUST MUZZLE



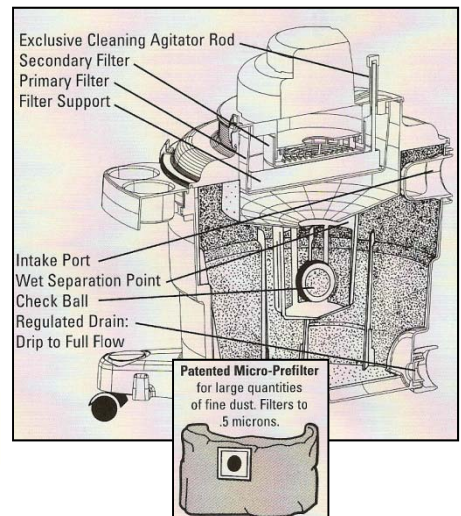
Universal muzzle of for all grinding, cutting and drilling

- Over 95% efficient on a variety of surfaces.
- Helps prevent silicosis of the lungs.
- Prolongs the life of your electric tools.
- Keeps abrasive concrete dust from damaging the motor .
- Virtually removes all the fine pollutants at the point of origin.
- Requires no special sandpaper or back up pads.
- Variable amount of vacuum applied to the work.
- For all 5-7" cup wheels, crack chasers, tuck pointers, etc.



Dustless WET/DRY VACUUM

- For drywall, concrete, fiberglass, etc.
- Easy cleaning of filters
- Washable double filter system
- Tough design for industrial use
- Hose for both suction and drainage
- All accessories stored on the vacuum
- Light weight and easy to handle



Dustless TECHNOLOGIES TURBO DRYWALL SANDER



- ❖ Air powered turbine provides aggressive orbital sanding motion
- ❖ Dust is vacuumed in on all four sides
- ❖ Dual Action: Sands & Contains Dust

- No respirator required.
- Lightweight – reduces operator fatigue.
- Extendable pole extends to a total of 12 feet
- The sander and extension pole weigh approx 5 pounds. Will sand within 1/4" of a corner.

