



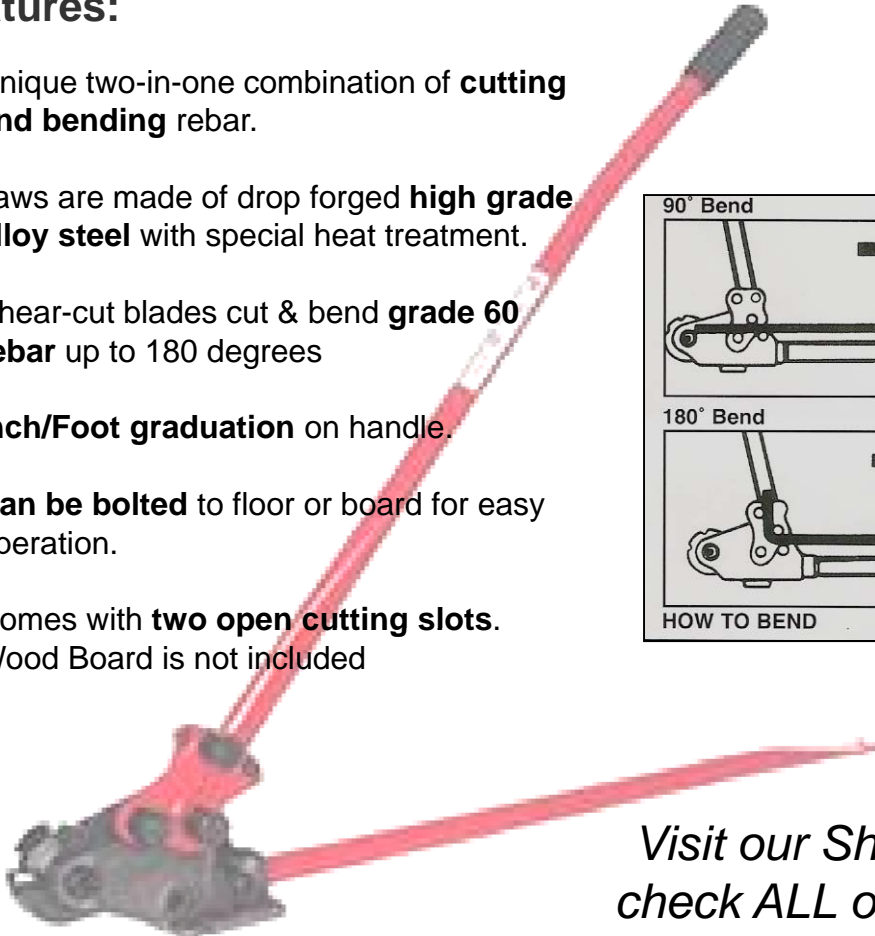
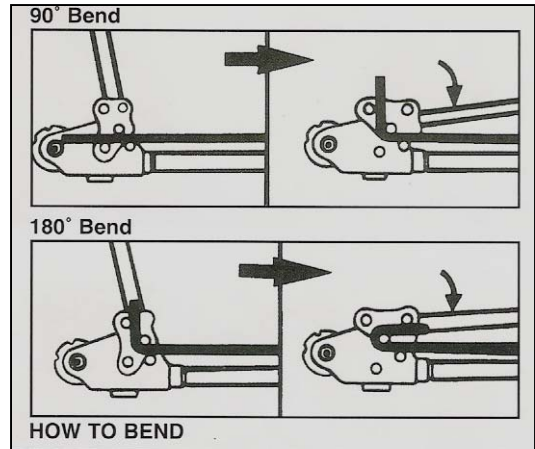
E-mail: pcpcaribbean@gmail.com

CALL US: (868) 675-6019

MANUAL REBAR CUTTER & BENDER

Features:

- ❖ Unique two-in-one combination of **cutting and bending** rebar.
- ❖ Jaws are made of drop forged **high grade alloy steel** with special heat treatment.
- ❖ Shear-cut blades cut & bend **grade 60 rebar** up to 180 degrees
- ❖ **Inch/Foot graduation** on handle.
- ❖ **Can be bolted** to floor or board for easy operation.
- ❖ Comes with **two open cutting slots**. Wood Board is not included



Visit our Show-Room to check ALL our products!!!

CUTS AND BENDS UP TO 5/8"

